

VSE2V
SERIES



italboertta

Valvole serie VSF2V

CARATTERISTICHE TECNICHE

Valvole a sfera a due vie tre pezzi
con flangia ISO 5211:2003

Diametro Nominale
Da DN 15 a DN 80

Pressione Nominale
PN 69 – 1000psi

Materiale tenute:
PTFE

Temperatura di funzionamento
Min. -10 °C, max +180 °C

Materiale:
INOX 316

Conessioni
Filettata FF ISO 228-1
Filettata FF NPT
Saldare SW ISO 65
Saldare BW ISO 4200

Disponibili nelle versioni:
Ad azionamento manuale tramite Leva
Ad azionamento pneumatico
con attuatore tipo BAIBY

Accessori: vedi scheda accessori

Valves Series VSF2V

TECHNICAL SPECIFICATIONS:

*3-piece 2-way Ball valves
AISI 316 Body ISO 5211:2003 flange*

*Nominal Diameter
From ND 1/2" to ND 3"*

*Nominal Pressure
PN 69 – 1000psi*

*Seals Materials:
PTFE*

*Operating Temperatures:
Min. -10 °C, max +180 °C*

*Material:
AISI 316 Stainless Steel*

*Connections
Threaded female GAS ends ISO 228-1
Threaded female NPT ends
Socket weld ends ISO 65
Butt welding ends ISO 4200*

*Available in versions
Manually operated with Lever
Pneumatically operated by
BAIBY double effect actuator*

Accessories: see accessory datasheet



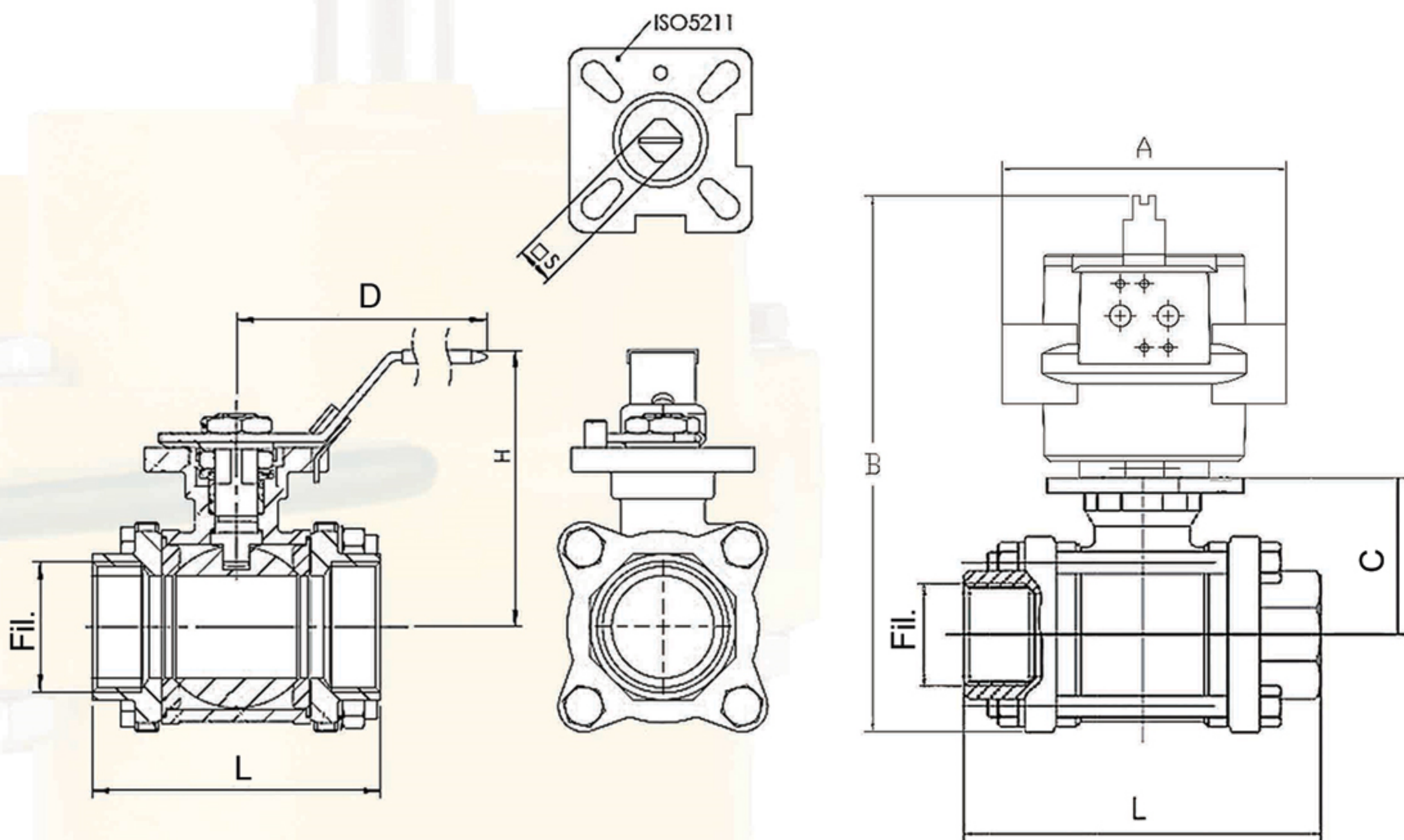


Tabella dimensioni con attuatore Baiby [mm]

Overall dimensions with BAIBY actuator [mm]

DN	15	20	25	32	40	50	65	80
ND	1/2"	3/4"	1"	1 1/4"	1 1/2"	2"	2 1/2"	3"
Attuatore Actuator	Baiby 0	Baiby 0	Baiby 0	Baiby 1	Baiby 1	Baiby 1	Baiby 2	Baiby 2
A	112	112	112	142	142	142	170	170
B	193	203	210	236	255	280	328	353
Fil.	1/2"	3/4"	1"	1 1/4"	1 1/2"	2"	2 1/2"	3"
C	38	43	45	55	70	85	101,5	112,5
L	54	73	79	90	102	118	140	153

Tabella dimensioni comando a leva [mm]

Overall dimensions lever actuated [mm]

DN	15	20	25	32	40	50	65	80
ND	1/2"	3/4"	1"	1 1/4"	1 1/2"	2"	2 1/2"	3"
L	54	73	79	90	102	118	140	153
D	120	140	140	204	204	204	255	255
H	63	70	74	88	94	102	140	153
S	9	11	11	14	14	14	17	17
ISO 5211	F03	F04/F05	F04/F05	F05/F07	F05/F07	F05/F07	F07/F10	F07/F10



 **Italberta S.r.l.**

Via Maglioleo, 27 - 13900 Biella (BI) - ITALY
Tel. 015-20483 Fax 015 2527717 E-mail: info@italberta.it

www.italberta.it